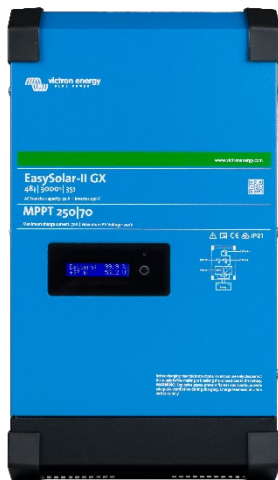


# EasySolar-II 48/3000/35-32 MPPT 250/70 GX

The all-in-one solar power solution

[www.victronenergy.com](http://www.victronenergy.com)



**EasySolar-II GX 3 kVA**



### VRM app for WiFi

Monitor and manage your Victron Energy system from your smart phone and tablet. Available for both iOS and Android.



### VRM Portal

Our free remote monitoring website (VRM) will display all your system data in a comprehensive graphical format. System settings can be changed remotely via the portal. Alarms can be received by e-mail.

### The all-in-one solar power solution

The Victron EasySolar-II GX integrates the following elements:

- A Multiplus-II inverter/charger
- A SmartSolar MPPT-Tr solar charge controller
- A GX device with a 2 x 16 character display.

These elements come prewired together inside a single unit. This greatly simplifies most installations, saving time and money.

### Display and Wi-Fi

The display reads battery, inverter and solar charge controller parameters.

The same parameters can be accessed with a smartphone or other Wi-Fi enabled device.

In addition, Wi-Fi can be used to set up the system and to change settings.

### Solar charge controller

The DC output of the SmartSolar MPPT is parallel wired with the DC connection of the MultiPlus-II inverter/charger.

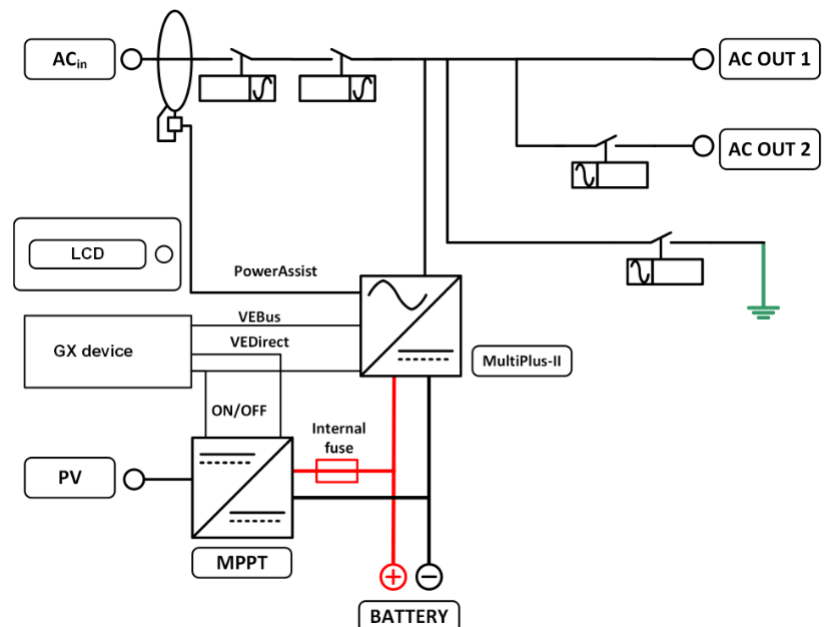
The on/off mechanism of the Multiplus-II also controls the SmartSolar MPPT.

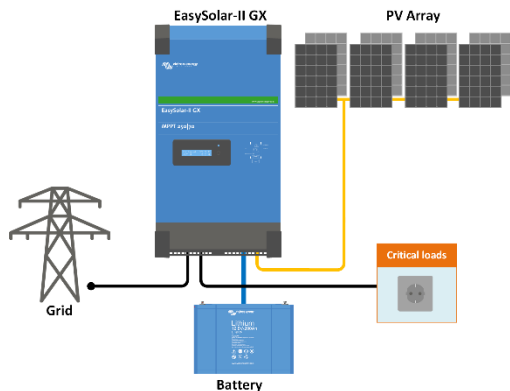
### GX device

The integrated GX device includes:

- A VE.Can interface. This can be used to connect to Victron VE.Can devices (eg VE.Can MPPTs), or the port can be reconfigured via the Remote Console for use with a compatible CAN-bus Li-ion Battery
- A USB port
- A Ethernet port
- A VE.Direct port

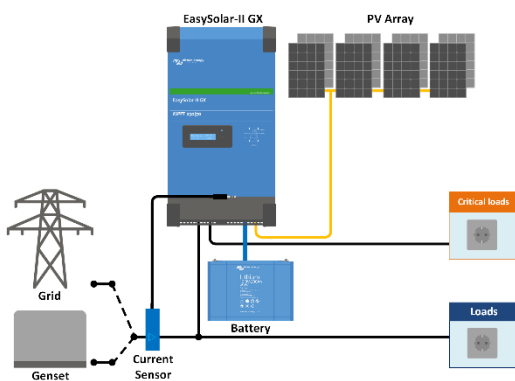
The GX device controls the MultiPlus-II and the SmartSolar MPPT with respectively a VE.Bus and a VE.Direct connection.





### Grid in-line topology

The EasySolar will use excess PV power to charge the batteries or to feed power back into the grid, and will discharge the battery or use power from the grid to supplement a shortage of PV power. In case of a power outage, the EasySolar will disconnect the grid and continue to supply the loads. Loads that should shut down when AC input power is not available can be connected to a second output (not shown). These loads will be taken into account by the PowerControl and PowerAssist function in order to limit AC input current to a safe value.



### Grid parallel topology

The EasySolar will use data from the external AC current sensor (must be ordered separately) or power meter to optimise self-consumption and, if required, to prevent grid feed. In case of a power outage, the EasySolar will continue to supply the critical loads



### Current sensor 100A:50mA

To implement PowerControl and PowerAssist and to optimize self-consumption with external current sensing.

Maximum current: 50A resp. 100A.  
Length of connection cable: 1 m.



Connection area

| EasySolar  |  | EasySolar-II 48/3000/35-32 MPPT 250/70 GX   |
|--|--|---|
| <b>INVERTER/CHARGER</b>  |  |   |
| PowerControl & PowerAssist   |  | Yes   |
| Transfer switch  |  | 32A   |
| Maximum AC input current   |  | 32A   |
| Auxiliary output   |  | Yes (32A)   |
| <b>INVERTER</b>  |  |   |
| Input voltage range  |  | 38 – 66V  |
| Output   |  | Output voltage: 230 VAC ± 2%<br>Frequency: 50 Hz ± 0,1% (1)   |
| Cont. output power at 25°C (3)   |  | 3000VA / 2400W  |
| Cont. output power at 40°C / 65°C  |  | 2200W / 1700W   |
| Maximum apparent feed-in power   |  | 2500VA  |
| Peak power   |  | 5500W   |
| Maximum efficiency   |  | 95%   |
| Zero load power  |  | 11W   |
| Zero load power in AES mode  |  | 7 W   |
| Zero load power in Search mode   |  | 2W  |
| <b>CHARGER</b>   |  |   |
| AC Input   |  | Input voltage range: 187-265 VAC<br>Input frequency: 45 – 65 Hz   |
| Charge voltage 'absorption'  |  | 57,6V   |
| Charge voltage 'float'   |  | 55,2V   |
| Storage mode   |  | 52,8V   |
| Maximum battery charge current (4)   |  | 35A   |
| Battery temperature sensor   |  | Yes   |
| Programmable relay (5)   |  | Yes   |
| Protection (2)   |  | a - g   |
| VE.Bus communication port  |  | For parallel and three phase operation,<br>remote monitoring and system integration   |
| General purpose com. port  |  | Yes, 2x   |
| <b>SOLAR CHARGE CONTROLLER</b>   |  |   |
| Model  |  | SmartSolar MPPT 250/70-Tr   |
| Maximum output current   |  | 70A   |
| Maximum PV power   |  | 4000W   |
| Maximum PV open circuit voltage  |  | 250V  |
| Maximum efficiency   |  | 98%   |
| Self-consumption   |  | 20mA  |
| Charge voltage 'absorption', default   |  | 57,6V   |
| Charge voltage 'float', default setting  |  | 55,2V   |
| Protection (2)   |  | a – e   |
| <b>GENERAL</b>   |  |   |
| Interfaces   |  | VE.Can, USB, Ethernet, VE.Direct, Wi-Fi   |
| Remote on-off  |  | Yes   |
| Operating temp. range  |  | -40 to +65°C (fan assisted cooling)   |
| Humidity (non-condensing):   |  | max 95%   |
| <b>ENCLOSURE</b>   |  |   |
| Material & Colour  |  | aluminium (blue RAL 5012)   |
| Protection category  |  | IP21  |
| Battery-connection   |  | M8 bolts  |
| PV connection  |  | M6 bolts  |
| 230 V AC-connection  |  | Screw terminals 13 mm <sup>2</sup> (6 AWG)  |
| Weight   |  | 26kg  |
| Dimensions (hxwx d)  |  | 506 x 275 x 237 mm  |
| <b>STANDARDS</b>   |  |   |
| Safety   |  | EN-IEC 60335-1, EN-IEC 60335-2-29<br>EN-IEC 62109-1, EN-IEC 62109-2   |
| Emission / Immunity  |  | EN 55014-1, EN 55014-2<br>EN-IEC 61000-3-2, EN-IEC 61000-3-3<br>IEC 61000-6-1, IEC 61000-6-2, IEC 61000-6-3   |
| Anti-islanding   |  | See our website   |
| 1) Can be adjusted to 60 Hz<br>2) Protection key:<br>a) output short circuit<br>b) overload<br>c) battery voltage too high<br>d) battery voltage too low<br>e) temperature too high<br>f) 230 VAC on inverter output<br>g) input voltage ripple too high |  | 3) Non-linear load, crest factor 3:1<br>4) At 25°C ambient<br>5) Programmable relay which can be set for general alarm, DC under voltage or genset start/stop function.<br>AC rating: 230V / 4A, DC rating: 4A up to 35VDC and 1A up to 60VDC |