

SCOUT PRO

SOLAR SECURITY LIGHT



Ensure your solar panel is South facing or as near as possible



Clean your solar panel from time to time



Do **NOT** place your solar panel in shaded areas.



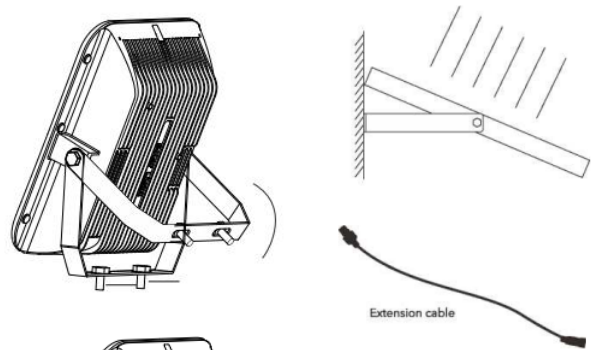
Do **NOT** charge behind glass

Please Read these instructions carefully before installing your light

Before you begin installation please take great care to ensure the surfaces you intend to mount the light and panel on are sturdy enough to take their weight. Failure to install your SCOUT PRO correctly could result in human or animal injury, damage to your property and damage to your light. If you are at all unsure please contact your retailer or a professional tradesman for advice. Always take great care when installing your SCOUT PRO, particularly in high places.

Installing the SCOUT PRO light body

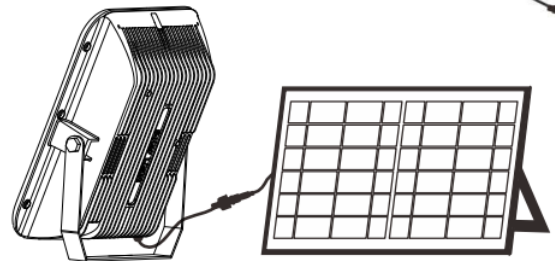
Fix the light Bracket to your wall using the supplied fixings ensure the bracket is secure before fixing the light body in place.



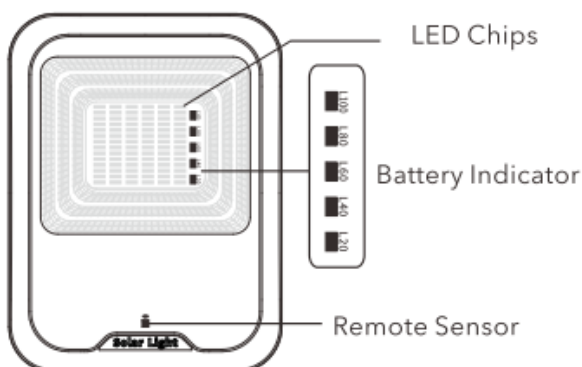
Installing the Solar Panel

Fix and adjust the angle of the solar panel according to the lamp location ensuring the cable is of sufficient length to reach.

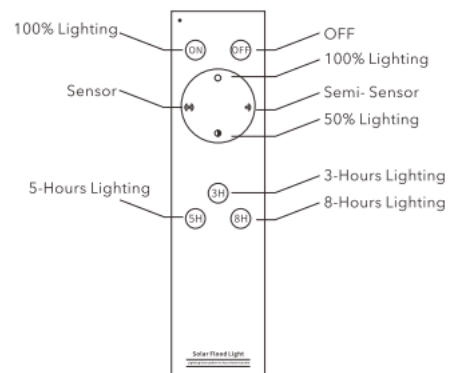
If the location is greater than one metre away from the lamp use the extension cable. If further extension cables are required then the quality of charge will reduce and so less energy will be gained.



Indication Lights



Intelligent Remote Control



Operation

Press “on” on the remote control for the first use. This will be set to 100% Light mode as a default. Select the lighting mode you require.

All modes will automatically be off during the daytime and automatically on in the same mode chosen at night.

If light is turned off via the remote then the light will remain off until turned on again via remote and mode selected.

7 Working Modes

- Sensor mode: Automatically turn on when dark and light to full brightness when motion is detected and off when motion stops.
- Semi-sensor mode: Automatically turn on to full brightness when dark, then switch to sensor mode as above after 4 hours.
- 100% lighting mode: Automatically turn on to full brightness and turn off at dawn or when energy depleted.
- 50% lighting mode: Automatically turn on at half power when dark and turn off at dawn or when energy depleted.
- 3-hour light mode: On full brightness when dark for 3hrs
- 5-hour light mode: On full brightness when dark for 5hrs
- 8-hour light mode: On full brightness when dark for 8hrs

Specifications

- IP66 waterproof
- Lithium battery: 10,000mAh LiFePO4 battery high power long life battery.
- Brightness: Excellent courtyard light will illuminate the equivalent of 4 car parking spaces comfortably.
- 16W Solar Panel

Maintenance

Clean the surface of the solar panel and light lens with a soft slightly moistened cloth. Do not use corrosive cleaning agents or chemical solutions as these may damage surfaces and impair operation. Keep the solar panel free of dirt, debris and snow

Safety Instructions

The Solar Centre assumes no liability for any damage resulting from the use of this product, nor do we assume liability for any damage to property or personal injury caused by improper use or failure to observe these instruction.

The SCOUT PRO is designed to charge from the sun using the supplied solar panel only! Never attempt to use any other type of solar panel or mains charger to charge this device! Doing so could be extremely hazardous and may result in a battery explosion or fire.

Customer Support

For customer support please visit
www.thesolarcentre.co.uk

