

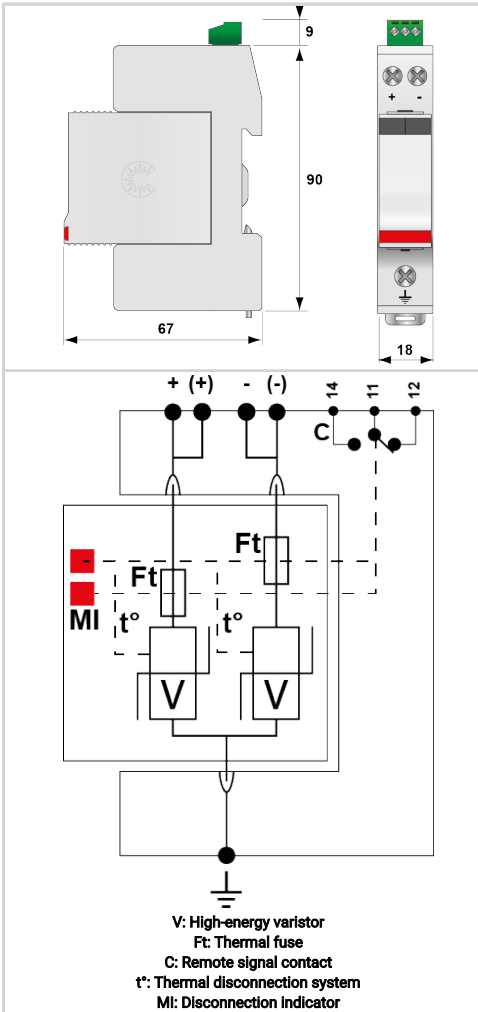


# CITEL



## DS240S-95DC

- MOV Technology
- UL1449 Type 4CA
- 40kA Surge Current Rating per module
- Visual fault indicator and remote contacts
- 10-Year warranty



Electrical Characteristics		
Network		DC or PV network 95Vdc
Max. DC operating voltage	Uc	125 Vdc
Max. load current @25°C	IL	50 A
Total Maximum discharge current <i>max. total withstand @ 8/20 μs</i>	I <sub>max</sub> Total	80 kA
Protection mode(s)		Common mode
Protection level +/-PE (-/PE) <i>@ In (8/20μs)</i>	Up	450 V
POWER SPD TYPE		IEC Type 2
VOLTS	(V)	95
AC/DC/DC PV/RF		DC
PHASE	(PH)	
AMPS	(A)	N/A
AMBIENT MIN	(C)	-40
AMBIENT MAX	(C)	+85
MODES		DC+G or DC-G
IN <i>15 impulses 8/20μs</i>	(kA)	20
SCCR	(kA)	n/a
IMAX <i>8/20μs</i>	(kA)	40
Mechanical Characteristics		
Technology		MOV
Connection to Network		By screw terminals: 1.5-10mm <sup>2</sup> (actives wires) and 2.5-25mm <sup>2</sup> (ground)
Format		Plug-in modular box
Failsafe mode		Disconnection from DC network
TECHNOLOGY		MOV
NETWORK CONFIGURATION		2W+G
CONNECTION METHOD		SPD-Screw Terminal (8-12AWG), Terminal blocks 6AWG
MOUNTING		Wall mount
MATERIAL		Thermoplastic UL94-V0
NEMA RATING (IP RATING)		NEMA 2 (IP20)
FAIL-SAFE BEHAVIOR		Disconnection via fuse-link
REAL-TIME DIAGNOSTICS		Visual indicator and remote contacts
DIMENSIONS		See diagram
WEIGHT		0.30 lbs
Standards		
UL STANDARD		UL1449 5th Edition
UL CATEGORY		VZCA2, VZCA8
UL FILE NUMBER		E326289
STANDARDS		IEC 61643-11, NOM-003-SCFI-2014, NOM-001-SCFI-1993
ENVIRONMENTAL STANDARDS		ROHS
Part number		



CITEL

*DC Power SPD- I<sub>max</sub> 40kA - In 20kA - Modular*

---

**DS240S-95DC**

310311

---

